

# Prestige SOLO Stand Instruction



## Parts List:

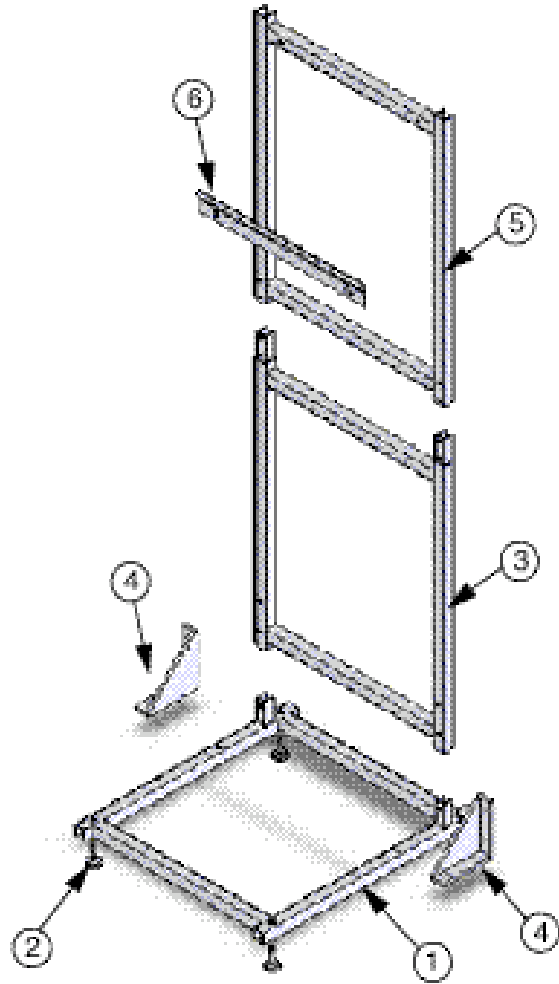
1. Base Assembly
2. Adjustable Legs (4)
3. Lower Assembly
4. Support
5. Upper Assembly
6. Wall Bracket  
(Included with Boiler)
7. Bolt 5/16 - 18 x 1" Long (12)  
Not Shown

## Recommended Tools:

- 1/2" Wrench
- Straight Screw Driver
- Level

## Dimensions (when Assembled):

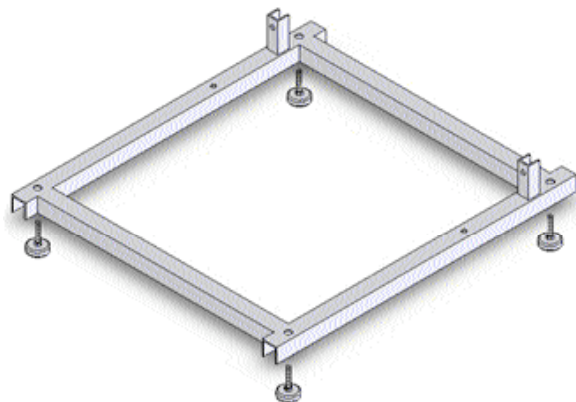
- 62" High
- 25-3/4" Deep
- 22-3/4" Wide



**Fig. 1: Prestige SOLO Stand Components**

## Stand Assembly

1. Locate the Base Assembly and turn upside down with the welded 2.5" high uprights pointing downward.
2. Locate the four legs and install with threads bottomed out in weld nuts located on the bottom of the Base Assembly, one each corner.
3. Turn the Base Assembly upside right with the legs facing downward.

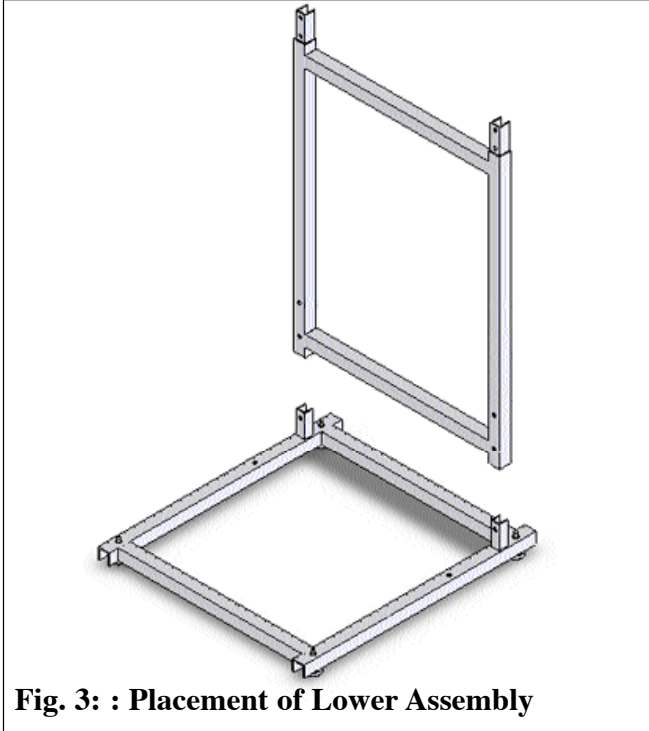


**Fig. 2: Installation of Adjustable Legs to Base Assembly**

# Prestige SOLO Stand Instruction

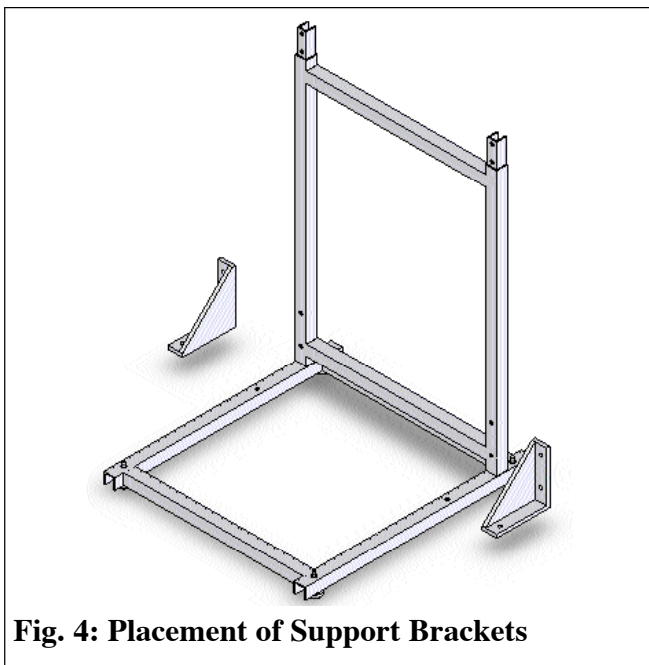


4. Locate the Lower Assembly and slide the bottom (welded splice piece facing upward) over the Base Assembly uprights with the open channels facing the same direction.



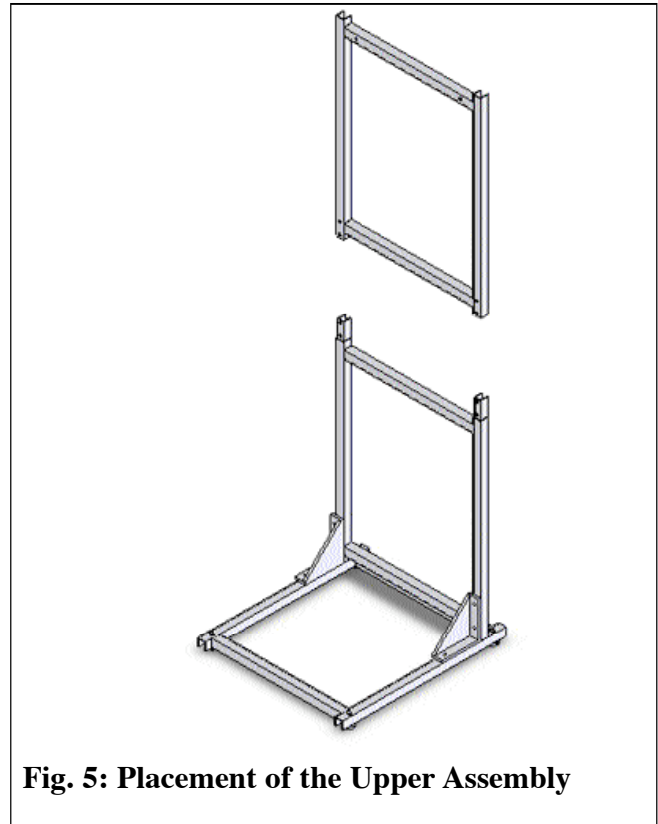
**Fig. 3: : Placement of Lower Assembly**

5. Locate and position the Support, one each side with support flanges facing outwards and align the holes in the Support, Lower Assembly and Base Assembly.



**Fig. 4: Placement of Support Brackets**

6. Locate six bolts (provided) and install through the Support to the Lower Assembly and Base Assembly, three bolts per side and tighten using 1/2" wrench.
7. Locate and position the Upper Assembly over the Lower Assembly with open channels facing the same direction and install four bolts (provided) through the bottom holes in the Upper Assembly to the Lower Assembly, two bolts per side and tighten using 1/2" wrench.

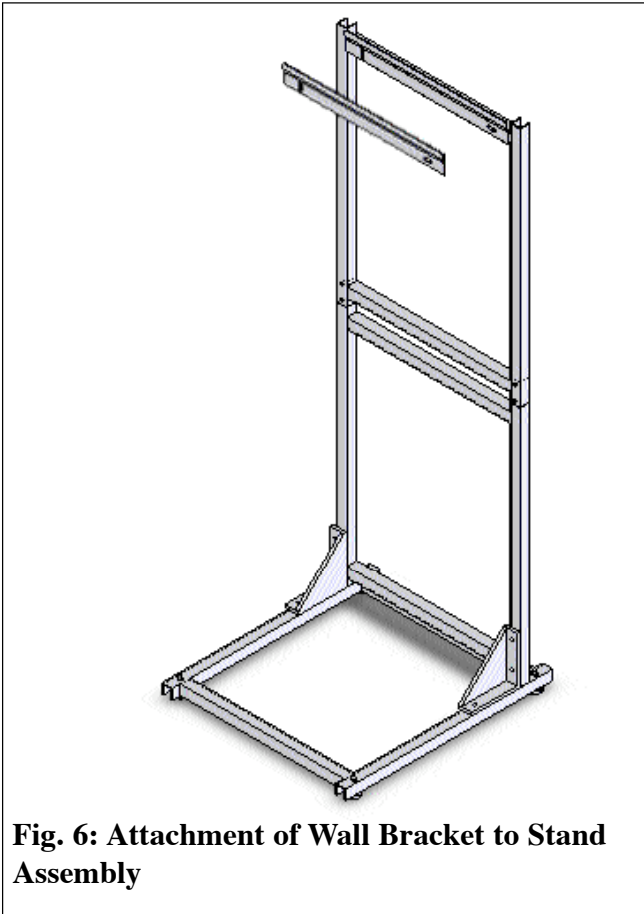


**Fig. 5: Placement of the Upper Assembly**

8. Level stand using the Adjustable Legs and a straight screw driver.

## Wall Bracket Installation

1. Locate the Wall Bracket shown in Fig. 6 and shipped with the boiler.
2. Place the Wall Bracket on the Upper Stand Assembly ensuring the upper edge of the bracket is away from the stand.



**Fig. 6: Attachment of Wall Bracket to Stand Assembly**

3. Insert two bolts (provided) through the mounting slots and loosely tighten using 1/2" wrench.
4. Level bracket and tighten bolts securely using 1/2" wrench.

## Boiler Mounting

### WARNING

**Use extreme care not to drop the boiler or cause bodily injury while lifting or mounting the boiler onto the bracket. Once mounted verify that the boiler is securely attached to the bracket. Failure to comply with the above guidelines could result in property damage, personal injury or death.**

1. Obtain assistance in lifting the boiler onto the Wall Bracket.
2. Install the boiler making sure the boiler mounting lip located along the upper edge of the rear jacket panel engages the Wall Bracket. Ensure the boiler is seated properly and is secure.