

PLUS Indirect Water Heaters

Ultra PLUS 40/60/80 - GOLD Plus 30/40/60/80 - PLUS 100/120

Drywell and/or O-Ring Replacement

O-Ring Replacement

Kit Part Number: 635-600-150

Parts List

1. Rubber O-Ring
2. Hex Key Tool
3. Thread Sealant (Loctite 680 - Packet)

Drywell Replacement

Kit Part Number: See chart on page 4.

Parts List

1. Drywell
2. Hex Key Tool
3. Thread Sealant (Loctite 680 - Packet)

⚠ WARNING

Indicates a potentially hazardous situation which, if ignored, can result in serious injury or substantial property damage.

NOTICE

Indicates special instructions on installation, operation or maintenance, which are important to equipment but not related to personal injury hazards.

⚠ WARNING

Failure to follow instructions below can result in severe personal injury or damage if ignored.

- Instructions are for a qualified installer/service technician.
- Read all instructions before proceeding.
- Follow instructions in proper order.

Removal of the Drywell

1. Shut off the domestic cold water supply valve to the water heater.
2. Close all isolation valves on the primary piping from the boiler to the water heater. **(Refer to Manual for draining)**
Open the boiler side drain at the water heater to relieve the outer pressure.
3. Open a hot water faucet within the system to relieve any pressure within the inner tank.

⚠ WARNING

Failure to properly relieve pressure on the outer tank can cause potential damage to the inner tank. **(Refer to Manual for draining).**

4. Locate the drywell on the tank.

For PLUS Series water heaters the drywell is located under the top lid near the thermostat knob.

For Ultra PLUS and GOLD Plus Series water heaters the drywell is accessible by removing the thermostat cover plate.

5. Remove the thermostat sensing bulb from the drywell.

⚠ WARNING

Make sure capillary tube is not kinked or damaged. A defective capillary tube can cause thermostat to fail, resulting in a situation that can result in severe personal injury or death.

6. To remove the hexagon head shape drywell requires a 27mm wrench or socket.
7. To remove the round head shape drywell requires the Hex Key Tool (supplied in kit) and a wrench or socket.

Replacement Drywell Installation

NOTICE

A rubber or copper O-Ring is NOT required on the replacement of the drywell.

1. When replacing the drywell ensure the internal threads of the coupling are clean and free of debris.
2. Apply a generous amount of thread sealant (Loctite 680 supplied in kit) completely around all the drywell threads and rethread the drywell into the tank coupling.
3. Use a 27 mm wrench or socket to tighten the drywell onto the tank coupling.
4. Re-insert the thermostat-sensing bulb into the drywell. Ensure the sensing bulb is inserted fully to the bottom of the drywell.
5. Re-insert the thermometer-sensing bulb. Ensure the bulb is inserted a minimum 12 inches into the drywell.

Rubber O-Ring Replacement Installation

NOTICE

The rubber O-Ring is used on the "Old Style" Hex Head Style drywell only.

1. When replacing the rubber type O-Ring ensure the underside and thread area of the drywell and coupling is clean of pipe dope and other debris, remove the old O-Ring.
2. Slide the new O-Ring over the end of the drywell and seat it properly into the underside groove (not shown) of the drywell head. (See Fig. 1)
3. Apply a generous amount of thread sealant (supplied in kit) completely around all the drywell threads and re-thread the drywell into the tank.
4. Re-Insert the thermostat-sensing bulb into the drywell. Ensure the sensing bulb is inserted fully to the bottom of the drywell.

WARNING

Make sure capillary tube is not kinked or damaged. A defective capillary tube can cause the thermostat to fail, resulting in a situation that can result in severe personal injury or death.

NOTICE

For a proper seal of the drywell onto the tank coupling:

- Ensure the O-Ring is properly seated in the drywell head.
- Ensure thread sealant was applied completely around all drywell heads.
- Ensure the O-Ring is not twisted or pinched between the drywell head and coupling.
- Ensure the drywell is tightened fully into the coupling.
- Turn the domestic cold water supply valve back on (Refer to Manual for refilling) when new drywell installation is complete.

Copper O-Ring Replacement Installation

NOTICE

The copper O-Ring was used on the Round Head Style drywell only.

1. Follow the instructions on removal of the drywell. Remove the old copper style O-Ring. Ensure the underside and threads of the drywell head and the top surface and threads of the coupling are clean and free of debris. Remove the old copper O-Ring.

NOTICE

You will not replace the old copper O-Ring.

2. Apply a generous amount of thread sealant (supplied in kit) completely around all the drywell threads and re-thread the drywell into the tank coupling.
3. Use the Hex Key Tool (supplied in kit) and a wrench or socket to tighten the drywell onto the tank coupling.

WARNING

Make sure capillary tube is not kinked or damaged. A defective capillary tube can cause the thermostat to fail, resulting in a situation that can result in severe personal injury or death.

NOTICE

For a proper seal of the drywell onto the tank coupling:

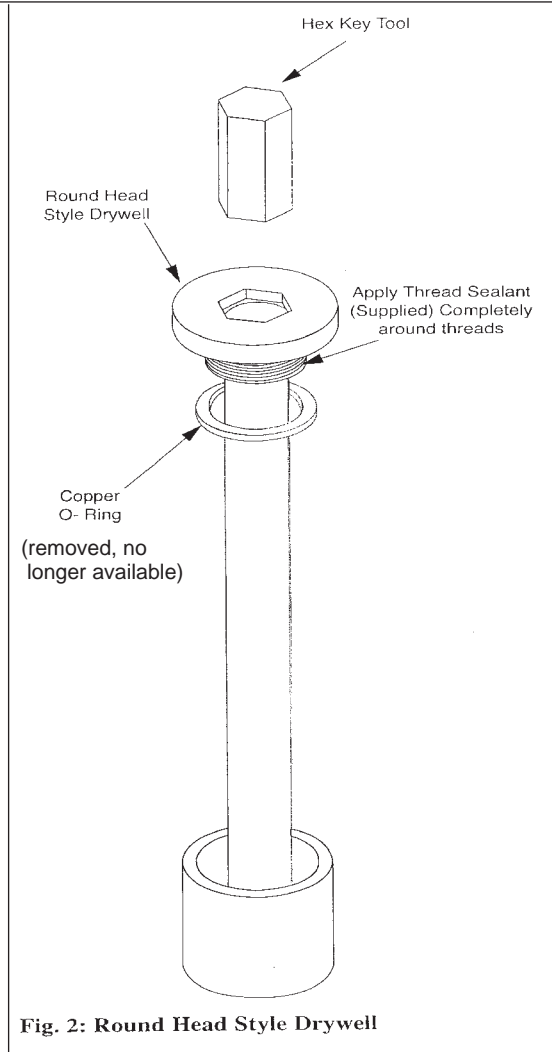
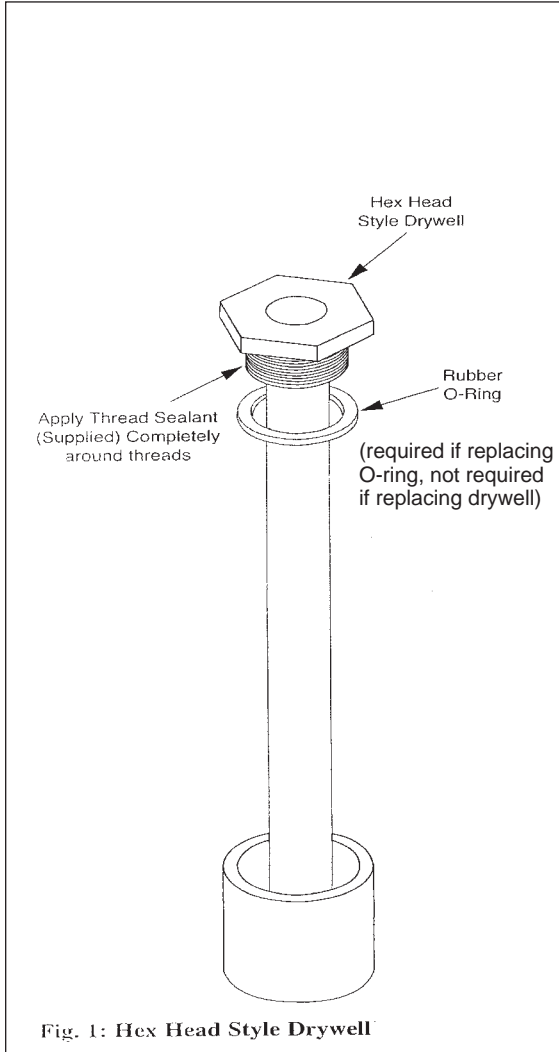
- Ensure the threads of the drywell and the coupling are clean and free of debris.
 - Ensure thread sealant was applied completely around all drywell heads.
 - Ensure the drywell is tightened fully into the coupling.
4. Re-Insert the thermostat-sensing bulb into the drywell. Ensure the sensing bulb is inserted fully to the bottom of the drywell.

WARNING

Make sure capillary tube is not kinked or damaged. A defective capillary tube can cause the thermostat to fail, resulting in a situation that can result in severe personal injury or death.

NOTICE

- Turn the domestic cold water supply valve back on (Refer to Manual for refilling) when drywell installation is complete.



New Drywell Installation

NOTICE

When installing a new drywell do not apply rubber or copper O-ring.

1. Ensure the threaded area of the coupling and drywell are clean of pipe dope and debris. Remove the old O-ring.
2. Apply a generous amount of thread sealant (supplied in kit) completely around all the drywell threads and rethread the drywell into the tank.
3. Re-insert the thermostat-sensing bulb into the drywell. Ensure the sensing bulb is inserted fully to the bottom of the drywell.

WARNING

Make sure capillary tube is not kinked or damaged. A defective capillary tube can cause the thermostat to fail, resulting in a situation that can result in severe personal injury or death.

NOTICE

- Ensure thread sealant (Loctite 680 - Packet) was applied completely all around the drywell head.
- Ensure the drywell is tightened fully into the coupling.
- Turn the domestic cold water supply valve back on (Refer to Manual for refilling) when new drywell installation is complete.

DRYWELL KIT PART NUMBER	MODEL NUMBER	DRYWELL LENGTH
635-600-061	GOLD Plus 30	19.68
635-600-062	GOLD Plus 40 / Ultra Plus 40	27.56
635-600-063	GOLD Plus 60 / Ultra Plus 60	37.40
635-600-064	GOLD Plus 80 / Ultra Plus 80	47.25
635-600-065	PLUS 100 and 120	51.25



Weil-McLain
500 Blaine Street
Michigan City, IN 46360-2388
<http://www.weil-mclain.com>