

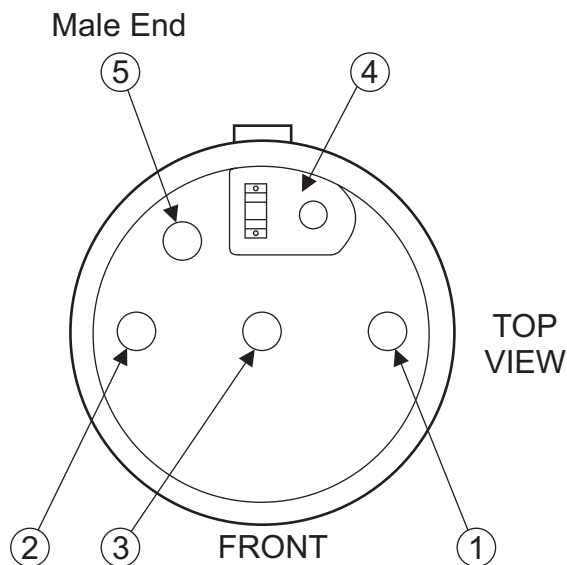
DHW

Indirect - Fired Water Heaters

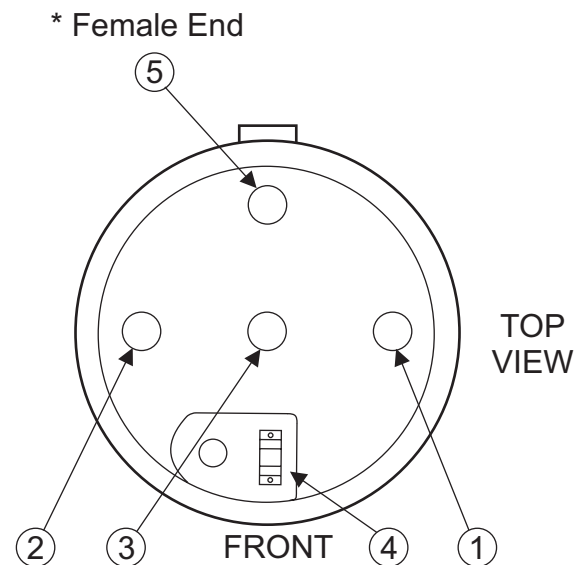
Addendum for NEW Locations of Thermostat and Auxiliary/Relief Valve Fittings on Indirect Fired Water Heaters.

Models Affected - DHW-36, DHW-46, and DHW-56

This Addendum needs to be used in conjunction with the Water Heater Manual P/N IWH-E010-A.



OLD DESIGN



NEW DESIGN

- ① Domestic Water Inlet ② Domestic Water Outlet ③ Air Vent ④ Thermostat ⑤ AUX

* Commonwealth of Massachusetts: For installing draining dip tube, install supplied close nipple before inserting dip tube.