



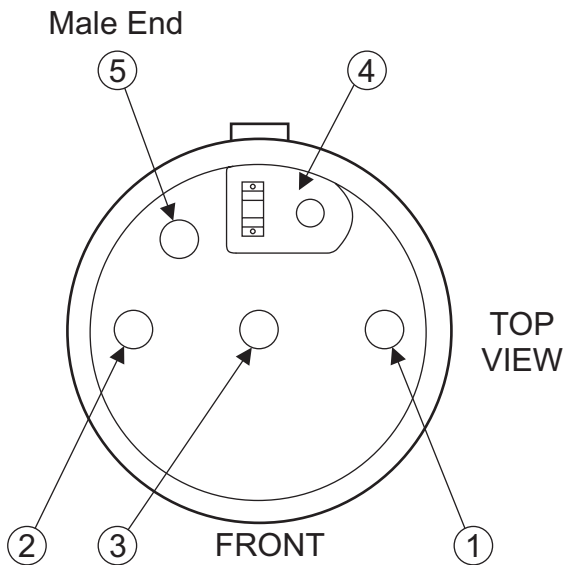
PLUS Line

Indirect - Fired Water Heaters

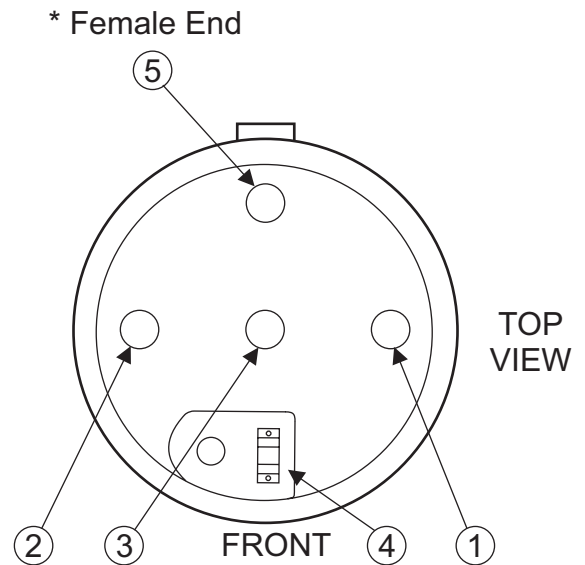
Addendum for NEW Locations of Thermostat and Auxiliary/Relief Valve Fittings on Gold PLUS and Ultra PLUS Tanks.

Models Affected - Gold PLUS 30/40/60/80 and Ultra PLUS 40/60/80

This Addendum needs to be used in conjunction with the Water Heater Manual P/N 635-500-075.



OLD DESIGN



NEW DESIGN

- ① Domestic Water Inlet ② Domestic Water Outlet ③ Air Vent ④ Thermostat ⑤ AUX

* For installing draining dip tube, install supplied close nipple before inserting dip tube.

