

# Prestige Floor Stand



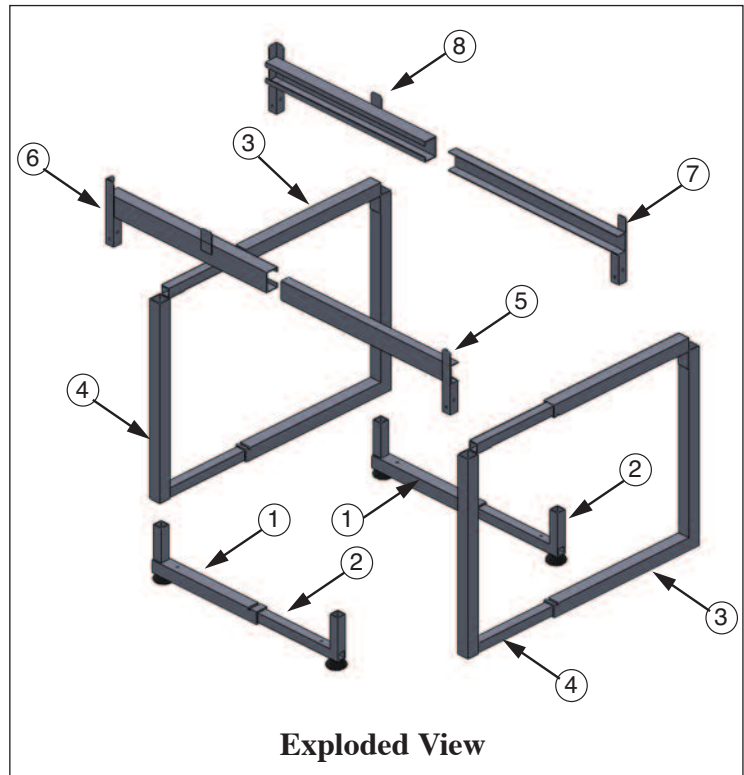
Kit Part Number: PSSTND06

## Parts List

1. (2) Leg Component A
2. (2) Leg Component B
3. (2) Side Frame Component C
4. (2) Side Frame Component D
5. Rail Component A
6. Rail Component B
7. Rail Component C
8. Rail Component D
9. (4) Level / Rubber Feet
10. (8) Retaining Clip Style A (not shown)
11. (6) Retaining Clip Style B (not shown)

## Recommended Tools:

- Tape Measurer



## WARNING

**Installation of the stand and boiler must be on a level foundation. Check and ensure floor location is level. If the desired location is not level and the leveling feet are extended to maximum height, a concrete foundation must be constructed. Do not use bricks, shims or other means to level the stand prior to installing the boiler as this could potentially lead to an unstable condition for the boiler installation.**

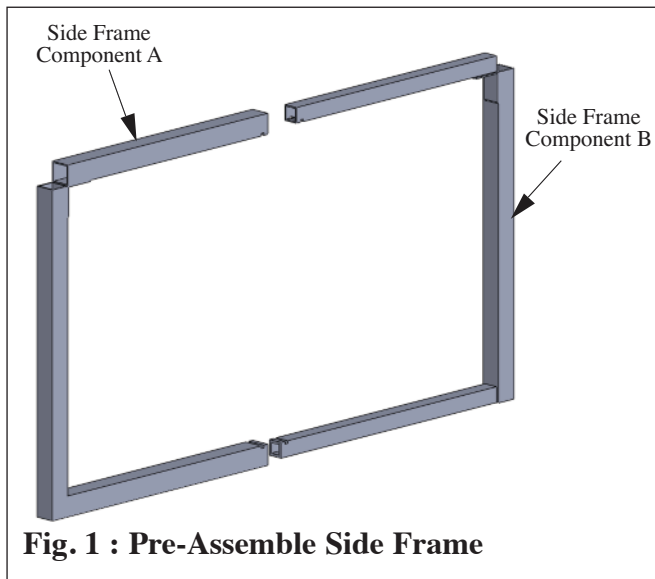
---

# Prestige Floor Stand

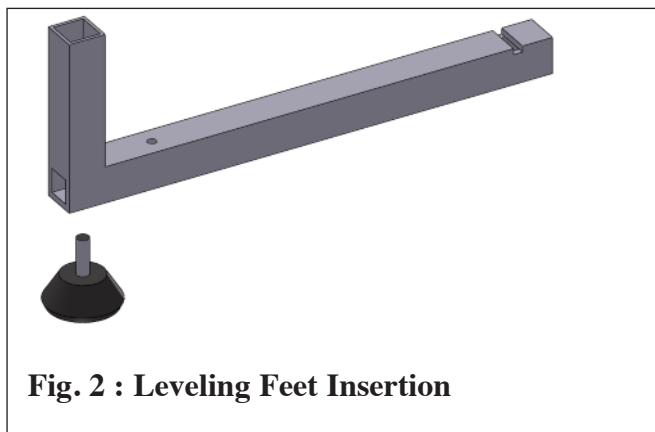
---

## Stand Assembly Instructions

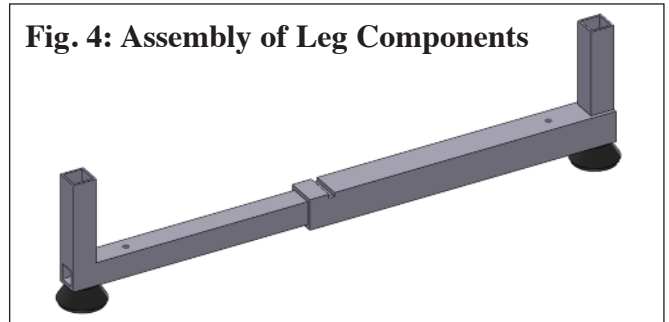
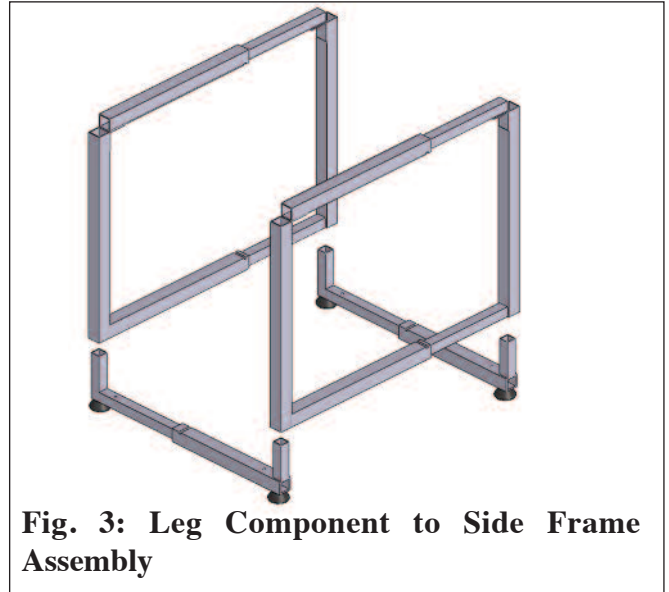
1. Unpack the pre-assembled side frame components. The side frame should be locked together using Retaining Clips Style B.
2. Thread the leveling feet onto the Leg Components A and Leg Components B as shown in Figure 2.



3. Assemble the Leg Components A and Leg Components B to the side frames as shown in Figure 3. Each side frame received a Leg Component A and a Leg Component B. Lock the Leg Components in the side frames using (4) Retaining Clips Style A.

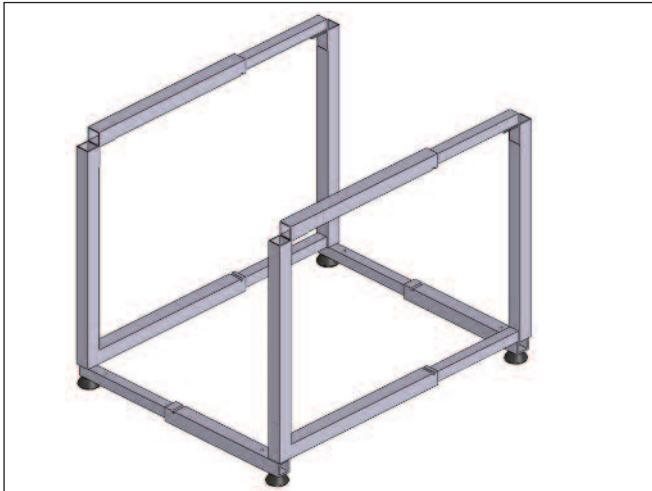


4. The Leg Component A and Leg Component B will insert and assemble as shown in Figure 4. With the side frame components, the base frame assembly is completed as shown in Figure 5.

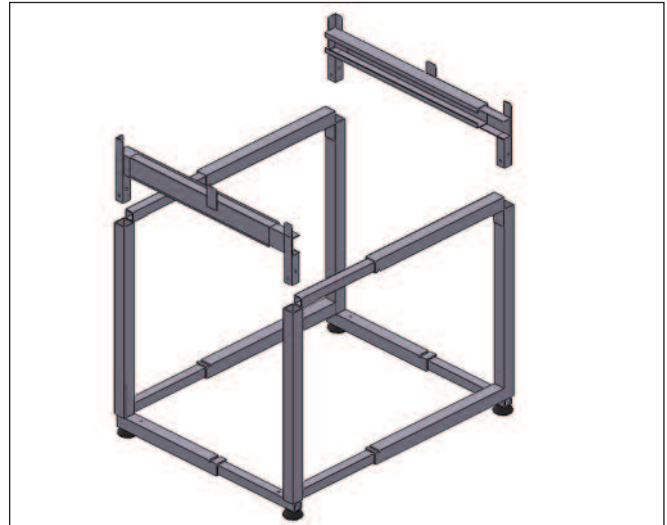


5. Assemble the Rail Components to the frame assembly as shown in Figure 6. The Rail Components will insert and assembled together (A to B and C to D) as shown in Fig. 7. Ensure the open side of rail components face inward of the assembly

# Prestige Floor Stand



**Fig. 5: Completion of Leg-Components to side Frames**



**Fig. 6: Rail Component to Side Frame Assembly**

6. Use Table 1 to proper set the leg dimensions for the appropriate boiler. As shown in Fig. 8.

**Table 1:**

Boiler Model	Left to Right Distance Dimension "a"	Front to Back Distance Dimension "b"
Prestige Solo 60/110	20 inches	16 inches
Prestige Solo 175/250	20 inches	16 inches
Prestige Solo 399	20 3/4 inches	20 3/4 inches
Prestige EXCELLENCE 110	20 3/4 inches	20 3/4 inches

7. Use (4) Retaining Clips Style A to lock the Leg Component assemblies as shown in Figure 7.

## Boiler Mounting

### BEST PRACTICE

Prior to mounting the boiler onto the stand it is advisable to pre-pipe the near boiler piping and near gas piping.

### WARNING

Ensure the stand is level – adjust the leveling feet as needed. Ensure all component assemblies are secure with retaining clips. Failure to comply could result in a collapse of the stand resulting in property damage or severe personal injury.

### CAUTION

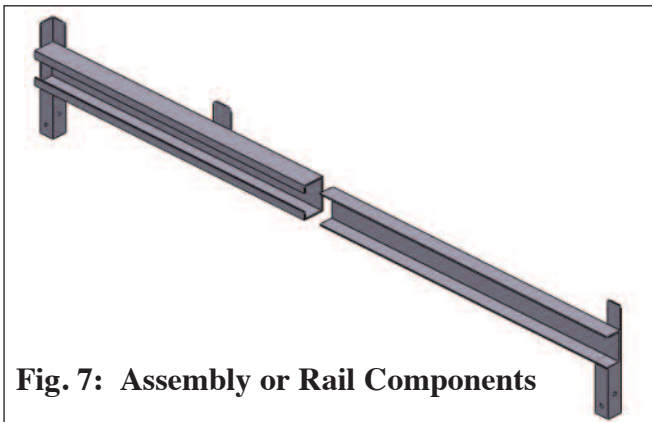
Use care not to lift the boiler from, or place the boiler on the front plastic control panel as damage can occur. Use care not to drop, bump or rotate the boiler upside down, as damage to the boiler will result.

# Prestige Floor Stand

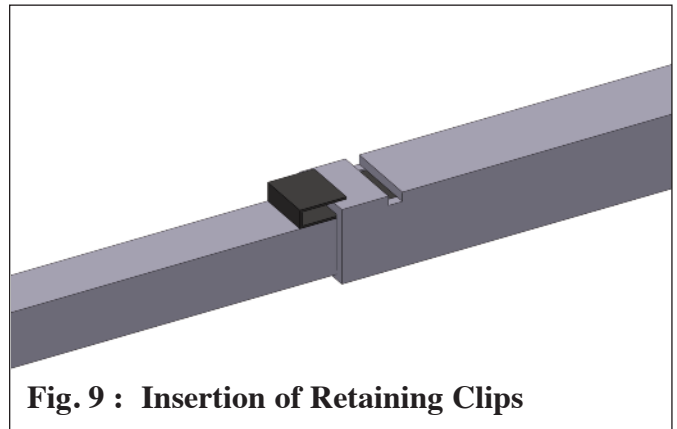
## **! WARNING**

Use extreme care not to drop the boiler or cause bodily injury while lifting / mounting the boiler onto the stand. Once mounted verify the boiler sits securely onto the stand level and without rocking. Failure to comply could result in property damage, personal injury or death.

1. Obtain assistance in lifting the boiler onto the wall bracket.
2. Install the boiler making sure the back edges of the boiler are firmly against the back / side taps of Rail Components B and D.



**Fig. 7: Assembly of Rail Components**

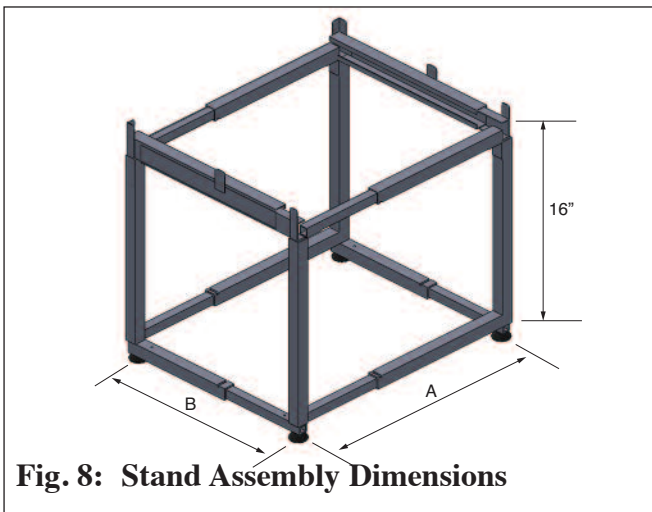


**Fig. 9 : Insertion of Retaining Clips**

## **! WARNING**

Use care when piping to the boiler once the boiler is securely placed onto the stand. Extreme torque on the piping could result in dislodging the boiler from the stand resulting in property damage, severe personal injury or death.

3. Ensure the boiler is seated properly and is secure.



**Fig. 8: Stand Assembly Dimensions**