



COMPACT BRAZED PLATE HEAT EXCHANGERS

Domestic Hot Water, Radiant Floor, & Snow Melt

Superior Design

ACV-Triangle Tube brazed plate heat exchangers consist of as many as 150 pattern-embossed stainless steel plates. The plates are brazed together, with every other plate turned 180° to create two separate flow channels with two mediums in counter current. The design of the plates creates a highly turbulent flow resulting in outstanding heat transfer. The result is a highly efficient compact heat exchanger.

Customer Support and Service

ACV-Triangle Tube can assist with selecting the optimum brazed plate heat exchanger for the application or use our online selection software.

Non Corrosive

The plates are made of acid resistant stainless steel with 99.9% pure copper brazing which ensures a very high resistance to corrosion.

Self Cleaning

The ACV-Triangle Tube heat exchanger creates a turbulent flow even at low velocities, resulting in a self cleaning, self descaling design that resists scaling.

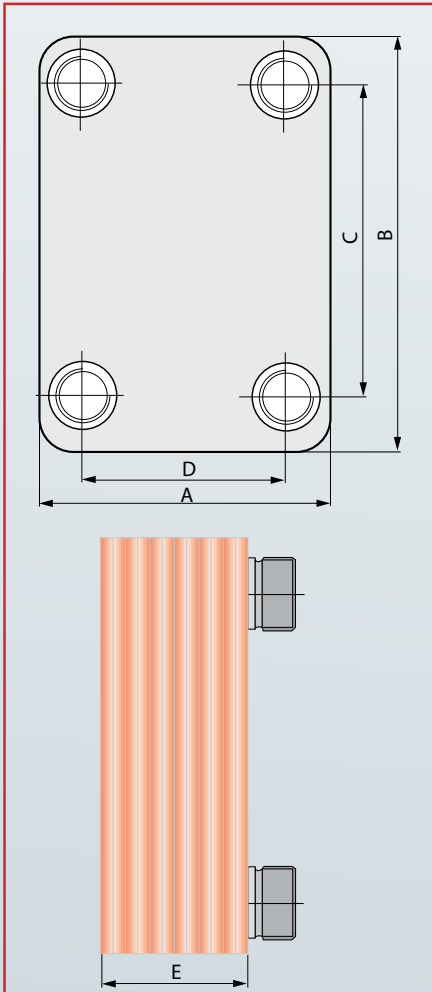


Specifications

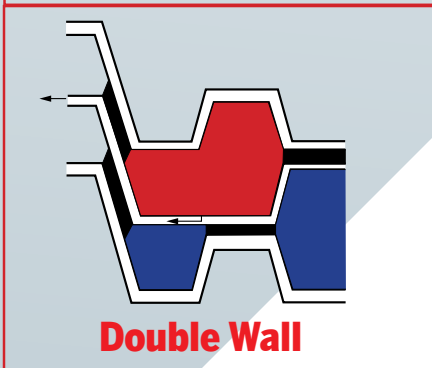
Materials: Plates and Connections: AISI 316L Stainless Steel, Braze: 99.9% Copper

Operating Conditions: Max Operating Temperature: 350°F, Max. Operating Pressure: 450psig, 145 psig (“E” Models), 362 psig (“DW” models)

Approvals:   ASME Optional



Dimensions



Double Wall

Single Wall

Model	Threaded Connections (inch) NPT	Sweated Connection (inch)	Dimensions (inch)					Empty Weight lbs	Plates
			A	B	C	D	E		
TTP1-14E	3/4	7/8	3.3	8.0	6.0	1.6	1.6	3.1	14
TTP1-20E	3/4	7/8	3.3	8.0	6.0	1.6	2.1	3.7	20
TTP1-30E	3/4	7/8	3.3	8.0	6.0	1.6	3.0	4.8	30
TTP3-14	1	1 1/8	4.9	12.2	10.0	2.7	1.7	6.9	14
TTP3-20	1	1 1/8	4.9	12.2	10.0	2.7	1.8	7.6	16
TTP3-40	1	1 1/8	4.9	12.2	10.0	2.7	3.6	14.0	36
TTP4-10	1	1 1/8	4.9	13.2	11.1	2.9	1.3	6.4	10
TTP4-14	1	1 1/8	4.9	13.2	11.1	2.9	1.7	7.6	14
TTP4-24	1	1 1/8	4.9	13.2	11.1	2.9	2.5	10.5	24
TTP4-30	1	1 1/8	4.9	13.2	11.1	2.9	3.1	12.2	30
TTP4-50	1	1 1/8	4.9	13.2	11.1	2.9	4.8	18.0	50
TTP4-70	1 1/4	1 3/8	4.9	13.2	11.1	2.9	6.6	23.8	70
TTP7-20	2	2 1/8	11.1	21.4	18.1	7.8	2.6	51.1	20
TTP7-24	2	2 1/8	11.1	21.4	18.1	7.8	3.0	55.5	24
TTP7-30	2	2 1/8	11.1	21.4	18.1	7.8	3.6	62.1	30
TTP7-40	2	2 1/8	11.1	21.4	18.1	7.8	4.7	73.1	40
TTP7-50	2	2 1/8	11.1	21.4	18.1	7.8	5.7	84.1	50
TTP7-60	2	2 1/8	11.1	21.4	18.1	7.8	6.7	95.1	60

Double Wall

For extra protection against leakage, a special double wall system is available. The heat exchanger consists of two stainless steel plates instead of one, which significantly reduces the chance of fluid contamination.

Model	Threaded Connections (inch) NPT	Solder Connection (inch)	Dimensions (inch)					Empty Weight lbs
			A	B	C	D	E	
TTP5-8DW	1	1 1/8	4.9	20.8	18.8	2.9	1.3	9.1
TTP5-14DW	1	1 1/8	4.9	20.8	18.8	2.9	1.8	12.7
TTP5-20DW	1	1 1/8	4.9	20.8	18.8	2.9	2.4	16.2
TTP5-30DW	1	1 1/8	4.9	20.8	18.8	2.9	3.4	22.1
TTP5-50DW	1 1/4	1 3/8	4.9	20.8	18.8	2.9	5.2	33.9
TTP5-80DW	1 1/4	1 3/8	4.9	20.8	18.8	2.9	8.0	51.6
TTP5-100DW	1 1/4	1 3/8	4.9	20.8	18.8	2.9	9.9	63.4

Triangle Tube reserves the right to make product changes or improvements at any time without notice.

2009-21 Brazed Plate Literature - 10/17/16



Triangle Tube • One Triangle Lane • Blackwood NJ 08012 • www.triangletube.com

p 856.228.8881 f 856.228.3584 