
CHALLENGER Indirect Circulator Wiring Harness Kit



Kit Part Number: CCRKIT38

Parts List

- Indirect Circulator Wire Harness
- Duplex Electrical Connector

Recommended tools:

- Pliers
- Phillips Screw Driver
- Small Flat Head Screwdriver

WARNING

Indicates a potentially hazardous situation which, if ignored, can result in serious injury or substantial property damage.

NOTICE

Indicates special instructions on installation, operation or maintenance, which are important to equipment but not related to personal injury hazards.

WARNING

For your safety, turn off electrical power supply at service panel before proceeding to avoid possible electrical shock hazard. Failure to do so can cause severe personal injury or death.

WARNING

Failure to follow instructions below can result in severe personal injury or damage if ignored.

- Instructions are for a qualified installer/ service technician.
- Read all instructions before proceeding.
- Follow instructions in proper order.

CHALLENGER Indirect Circulator Wiring Harness Kit

Harness Installation Instructions

1. Turn the power to the unit OFF by disconnecting the main power source.

⚠ WARNING

ELECTRICAL SHOCK HAZARD. The ON/OFF switch of the boiler does not disconnect electrical power to the module. Disconnect electrical power to the boiler using the main service switch.

2. Remove the front jacket panel by loosening the retaining screws on each side of the display.

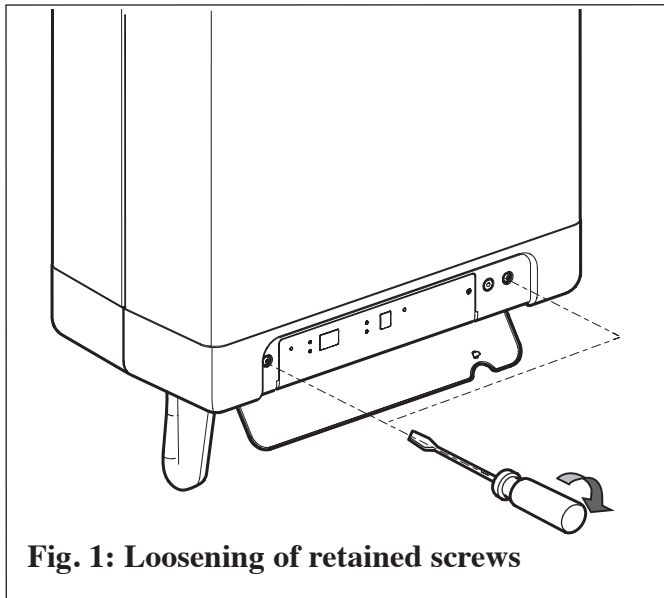


Fig. 1: Loosening of retained screws

3. Dismount the front jacket panel by pulling the bottom of the front panel out and the entire front jacket panel down.
4. Pull the Control Display Module tray out from the bottom jacket panel and swing the tray downward. The guide pins on the front of the tray should disengage the bottom panel (Fig.2).
5. Install the indirect circulator wiring harness by feeding the end with 2 ferules and female disconnect through the boiler cabinet to the control module from inside the boiler. The end of the wiring harness with the splicing connectors

should be routed to the line voltage terminal strip area. See Fig. 3.

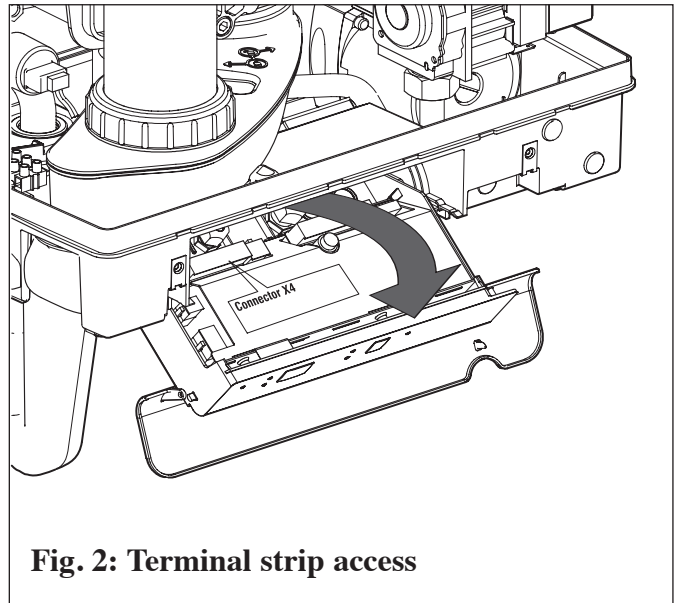


Fig. 2: Terminal strip access

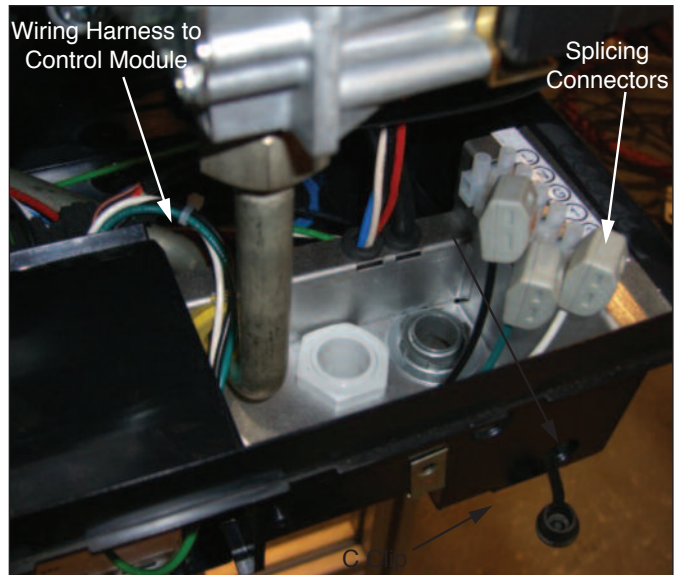


Fig. 3: Indirect Circulator Wiring Harness Installation

6. Connect the green ground wire to an available grounding tab along the top of the control module. See Fig. 4.
7. Connect the black wire to X2-5 and the white wire to X2-7. See Fig. 4.

CHALLENGER Indirect Circulator Wiring Harness Kit

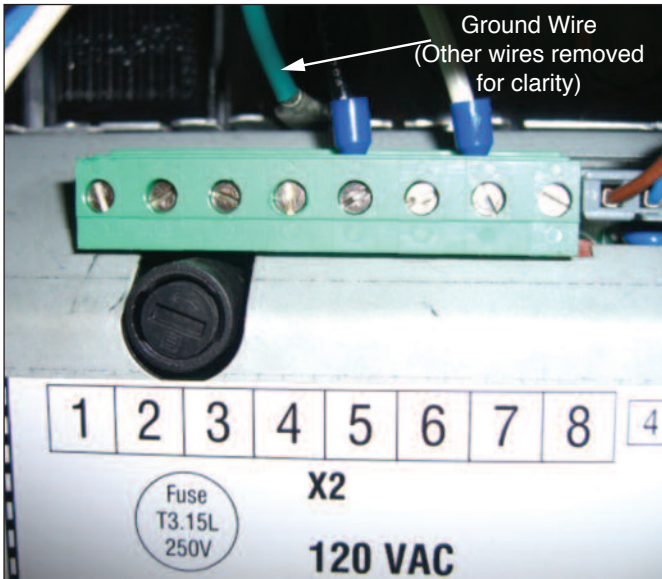


Fig. 4: Wiring Harness Terminations

8. Remove one of the plastic strain reliefs on the bottom of the boiler and install the duplex connector in its place. Place one washer on the inside and outside of the boiler before installing the duplex connector. The duplex connector will allow the wiring from the domestic circulator to enter the boiler. See Fig. 5.

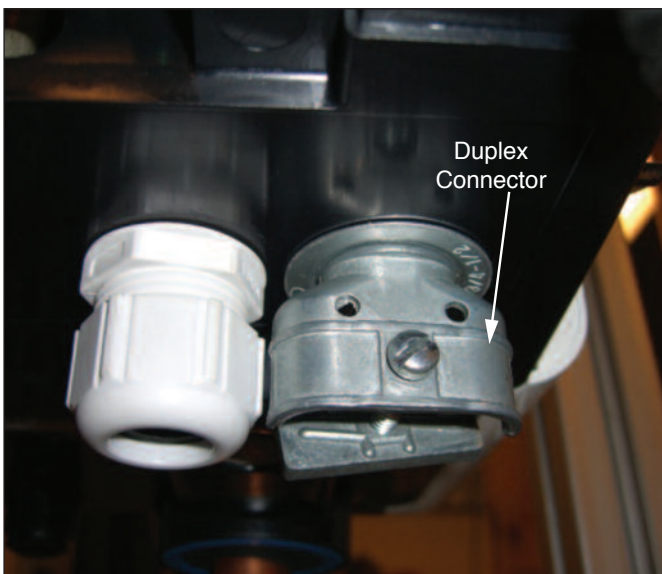


Fig. 5: Duplex Connector Installed

9. Connect the wiring from the indirect circulator to the indirect circulator wiring harness by lifting up the orange lever on the splicing connectors and inserting the stripped wire. Push down on the orange lever and verify that the wire is held in the connector.
10. Reengage the guide pins of the module tray into the bottom jacket panel. Rotate the tray up into position.

NOTICE

Ensure control wiring does not hinder the insertion of the tray into the bottom jacket panel.

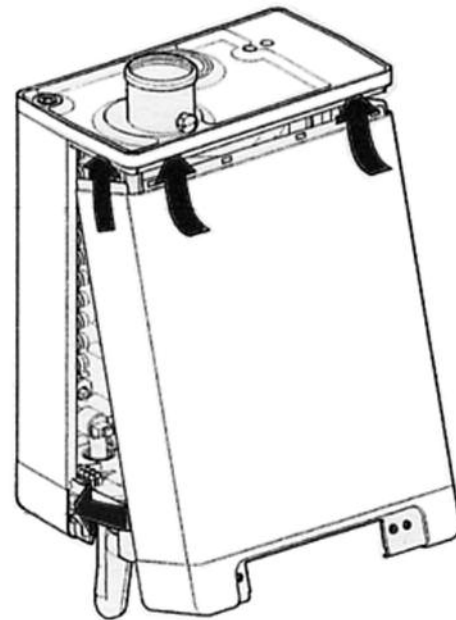





Fig. 6: Installation of front panel


11. Mount the front jacket panel by engaging the top of the panel into the top jacket panel (Fig. 6).
12. Swing the bottom of the front jacket against the side panel and secure in place by tightening the retaining screws (Fig. 1).
13. Turn power to the boiler ON and adjust the appliance parameters as follows:



CHALLENGER Indirect Circulator Wiring Harness Kit

Setting the Appliance Parameters

1. Press the “” button at the display panel for approximately 2 to 3 seconds until the main display on the left begins to flash.
2. Press the “” button until the operating display on the right shows parameter number 1.
3. Press the “+” button to change parameter 1 from 0 to 1 in the main display on the left.
4. After parameter 1 has been changed, press the  reset button to close the setting menu and store the change. The main display will go blank and a P will be displayed in the operating display to let you know the control was programmed.

NOTICE

If the  reset button is not pressed within 30 seconds, the settings menu is automatically closed and the changes are stored.

If the  ON/OFF button is pressed prior to the  reset button, the settings menu is closed and the changes are NOT stored.